

TC-SRGF

Special

• 450mm Pitch

*In this case, the rack combination of TC-SRGF must be High rack unit + Low rack unit, and the Slide Rack must be only low unit, which makes the handles easily interfere with each other.

So make sure to secure the slide space for 1 unit (220mm) every 10units.

Storable Cycle Specifications

Load weight	Tire Diameter	Tire Width	Entire Length	Handle Width	Handle Height*	Rack Pitch	Silent Type	Self Stand (Gas Spring)	Upper Rack for Slide Rack
Less than 25kg	20~27 inch	Less than 50mm	Less than 1840mm	Less than 600mm	Less than 1100mm	600mm	Yes	Yes	Yes

*From slide rack



3 seats bicycle



Electric bicycle



Bicycle with rear basket



Infant bicycle



Combo with vertical rack



Combo with top rack



Saving depth



TC-SRGF+SR-C

Features

- Upper Rack for Slide Rack
- Silent operation when in and out bicycle

Models	Bicycle loadable qty
TC-SRGF(Low Unit)	1
TC-SRGFH(High Unit)	1

■ TC-SRGFH(5 units) + SR-C[N Type](10 units) *Slide Space: 600mm

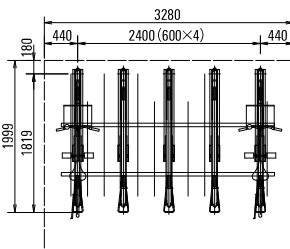
*In case there is a ceiling, Height requires more than 2500mm from the ground.

*A rough indication of passage width requires over 1,500mm from the rear wheel edge of stored bicycle.

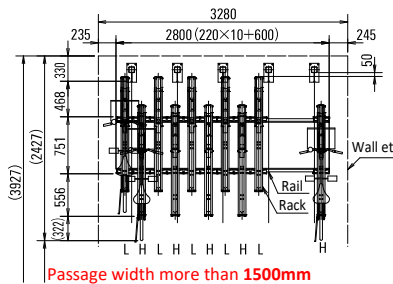
*Install in the floor level where the cross direction slope is less than 1% and front-back direction slope is 1%.

*A bicycle with a handle height exceeding 1,100 mm interferes with the upper rack when putting the bicycle on under slide rack No.SR-C[N].

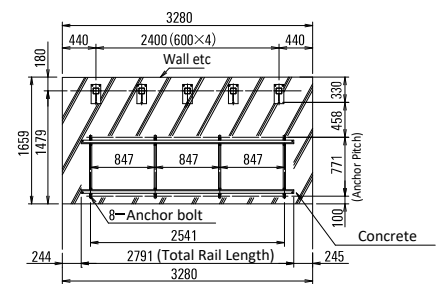
Floor Plan View(1) TC-SRGF



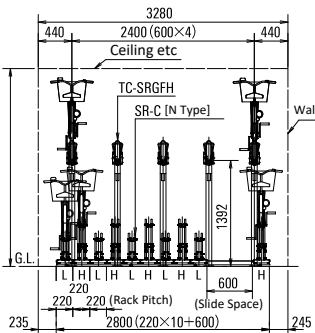
Floor Plan View(2) SR-C[N Type]



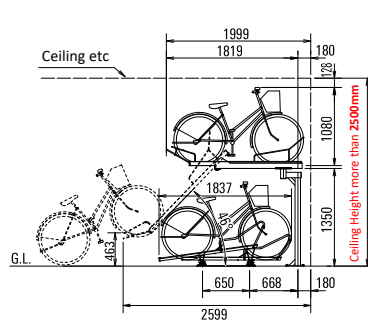
Foundation Front-View



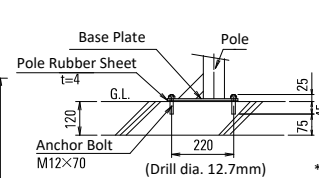
Front View



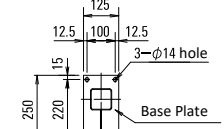
Side View



Base Plate Cross-section View



Base Plate Plan View



Option

■ Number Seal

1 digit (V30 x W20mm)
5
 10 digits (V30 x W35mm)

■ Wall Signboard

Size: 841 x 594mm



Parts Name	Dimension	Shape	Material	Finish	Color
Pole	75×75	□	Square steel pipe	*1	Autumn Gray
Frame	130×126	□	Hot-rolled steel	*1	Autumn Gray
Movable Rail	81×55	└┘	Hot-rolled steel	*1	Autumn Gray
Front • Rear Wheel Guide	φ8	○	Round steel	*1	Autumn Gray
Handle, Stand	φ10	○	Round steel	*1	Autumn Gray
Base Plate	125×250	□	Flat steel	*1	Autumn Gray
Anchor Bolt	M12×70	⚙	Steel	—	—

● Some bicycle over 28 inch can't be stored. ● Thick tires like mountain bikes may not be stored. ● Bicycles with special handlebars and rear baskets may not be stored.