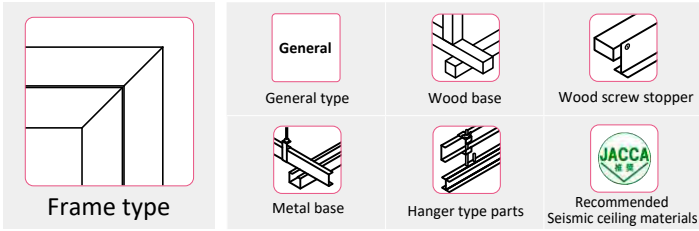
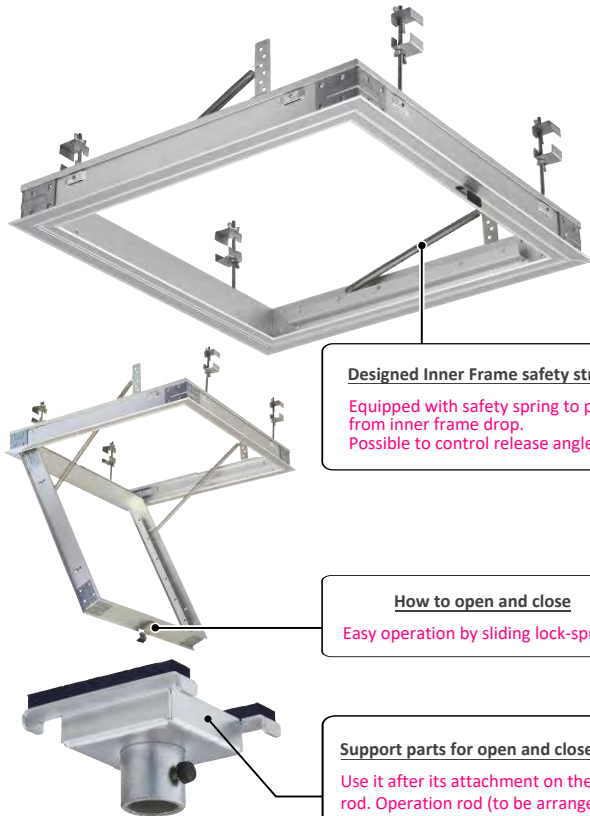


# Ceiling Hatch for High Location Ceiling

## CQT [CQT Silver]



### Simplify inspection works for Ceiling back at high location



**Designed Inner Frame safety structure**

Equipped with safety spring to protect from inner frame drop. Possible to control release angle.

**How to open and close**

Easy operation by sliding lock-spring.

**Support parts for open and close(Optional item)**

Use it after its attachment on the tip of operation rod. Operation rod (to be arranged separately) fits with  $\phi 20 \sim 25 \text{mm}$ .

● Option Parts for CQT Type  
Supporting parts for opening (CQTCOH Type)

#### Materials specification

Parts	Materials	Finish
Inner Frame, Outer Frame	A6063-T5	Anodized film
Hinge material	A6063-T5	Anodized film
Pushing parts for inner board	A6063-T5	Anodized film
Lock Spring	SUS301CSP	-
Protection spring from drop	SUS304WPB	-
Safety spring	SUS304WPB	-
Safety Spring Fixing parts A.	SPCC	Electro Galvanized
Safety Spring Fixing parts B.	A6063S-T5	Anodized film
Hanger	SECC	-

Models	Size and Name	Outer frame outer dimension	Cut out dimension	Cut size of Ceiling Board for inner frame	Name	Unit	Qty per carton (finish)
CQT	45	466	454	399	CQT45	1	1
	60	618	606	551	CQT60	1	1

Accessories(piece)		
Safety spring	Fixing parts A	Spring Hanger
2	2	4
2	2	4

\*Possible to install on the wooden base(Screws are not supplied) \*CQT series is made to order

#### Option

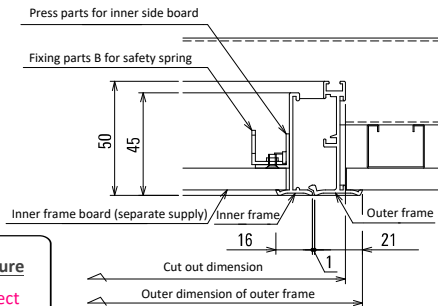
Supporting parts for opening & closing.

Name	Unit	Qty per carton
CQTCOH	1	1

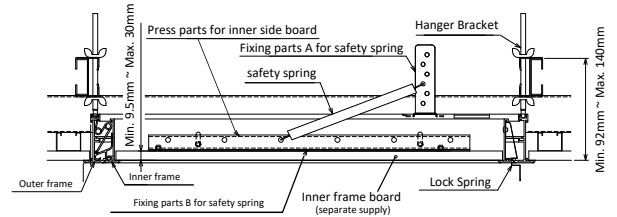
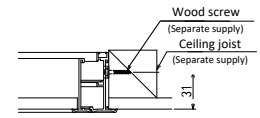
\*Made to order

#### Fit in View

##### ■ Cross section



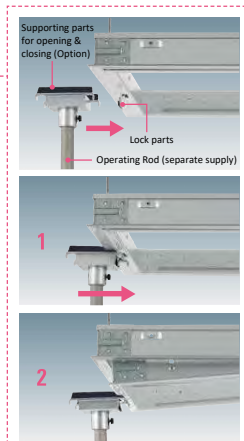
##### ■ Cross section for wood base fit in



#### How to open / close inner frame

- 1 Slide lock part to indicated direction.
- 2 Inner frame opens automatically. For closing, please push inner frame into outer frame as locking mechanism functions.

##### Operation image



\*Photo shows image only.  
\*Supporting parts for opening & closing is option.  
Rod to be arranged by client.

#### Job reference of installation



- Arrangement by scaffolding is saved and easier for inspection work.