

NEW

INTERIOR DOOR HANGER IDH80NB



FEATURES

Available for door weight 10kg~80kg.

Double wheel with bearing gives very smooth sliding and maintains very silent condition.

Made in compact design as 29mm (H) x 30mm (W).

Aluminium rail length is available in 2.0m, 3.0m and 5.8m per piece.

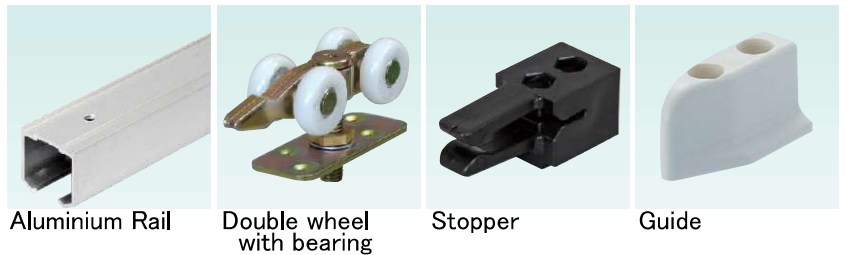
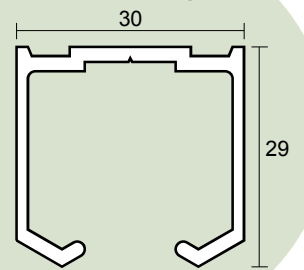
One complete set has one piece of Aluminium Rail, 2 pcs. of double-wheel with bearing, 2 pcs. of stopper and 1 piece of guide as standard spec.

※ The product is well designed & manufactured to maintain satisfactory condition and qualified by running test under normal temperature as follows.

By door weight 80kg - Durable upto 50,000 meters.

By door weight 50kg - Durable upto 70,000 meters.

Rail section -Original size



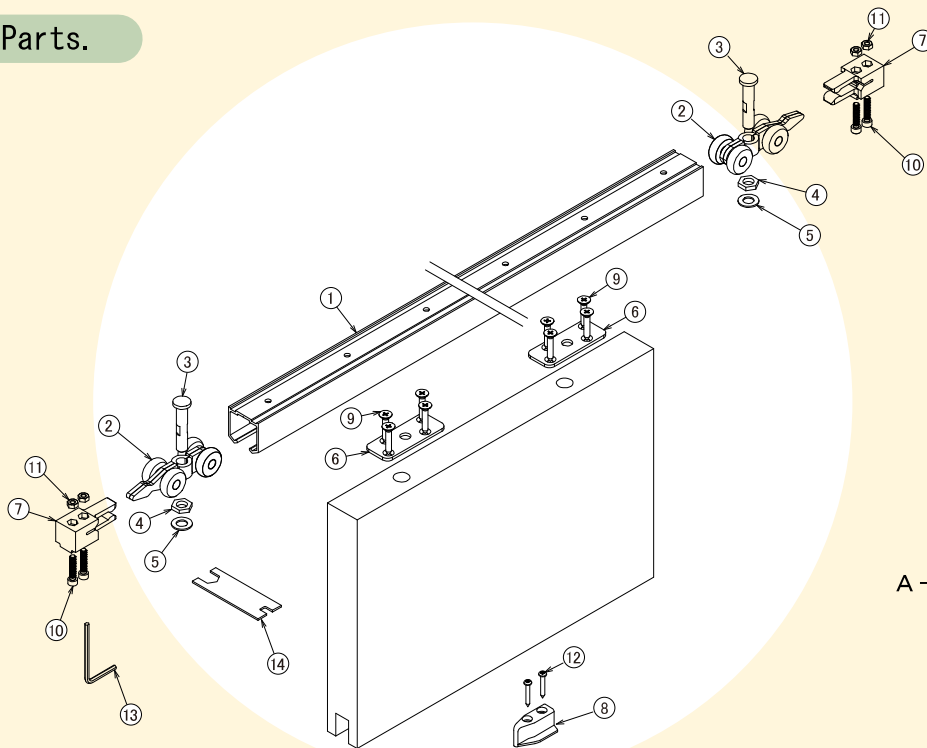
Aluminium Rail

Double wheel with bearing

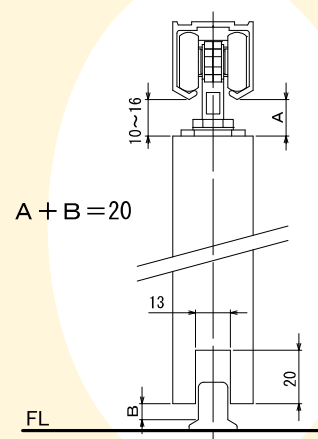
Stopper

Guide

Parts.



Sectional View



Basic components

Descriptions	Materials	Amount
① Aluminium Rail 2,000mm,3000mm & 5,800mm	Extruded aluminium	1
② Double wheel with bearing	Steel(Chromate)& Resin	2
③ Hanger bolt	Steel(Chromate)	2
④ M8 nut	Brass	2
⑤ Teethed washer φ 8mm	Trivalent Chromate	2
⑥ Plate	Steel	2
⑦ Stopper	Resin	2
⑧ Guide	Resin	1
⑨ Self tapping screw 4 x25mm (Countersunk flat head)	Steel(Chromate)	8
⑩ Bolt M4 x20mm (turned by hexa wrench)	Steel(Unichromed)	4
⑪ Nut M4	Steel(Unichromed)	4
⑫ Self Tapping screw 4 x30mm (Pan head)	Steel(Chromate)	2
⑬ Hexagon wrench	Steel	1
⑭ Spanner	Trivalent Chromate	1

Opening force (kgf)

Door Weight	Running test distance					
	0m	30,000m	40,000m	50,000m	60,000m	70,000m
50kg initial start	0.6	0.7	0.8	1.0	1.0	1.05
50kg	0.5	0.5	0.55	0.6	0.6	0.7
80kg initial start	0.7	1.75	1.8	2.0	2.3	2.5
80kg	0.5	0.9	1.2	1.2	1.4	1.7

Combination Closer with IDH-80NB



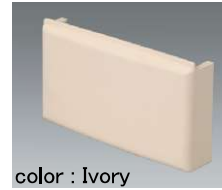
House Closer (Sliding Closer Surface Mount Type) HCR-07



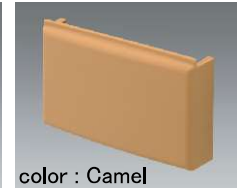
Available as semi-automatic sliding closer for door weight 20kg~50kg by combination with Interior Door Hanger Set IDH-80NB. Easy installation by ordinary tools such as (+) cross head screw driver only. Installation can be completed in about 3 minutes with your standard work.



color : Bronze



color : Ivory



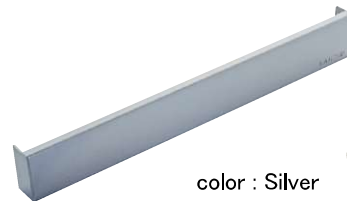
color : Camel



Soft Closer (Surface Mount Type) ECK-07



Available as anti bumping soft closer for door weight 10~50kg by combination with Interior Door Hanger Set IDH-80NB.

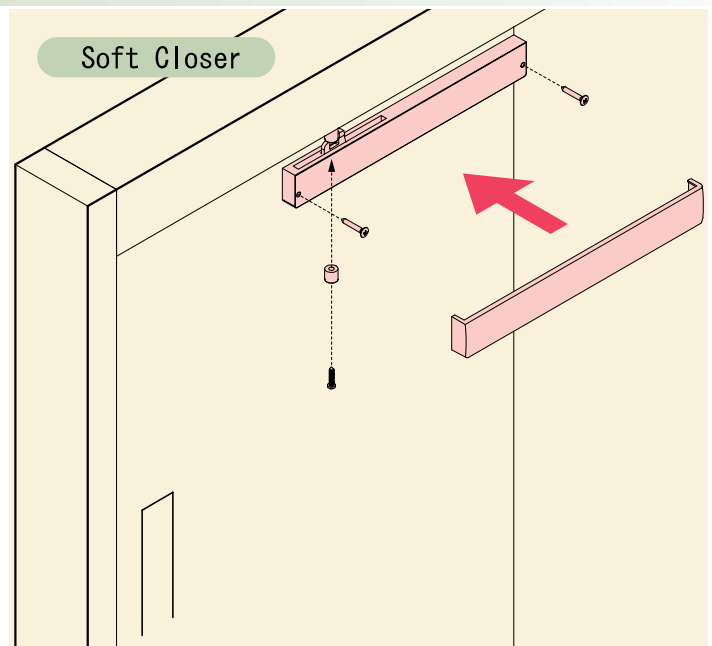
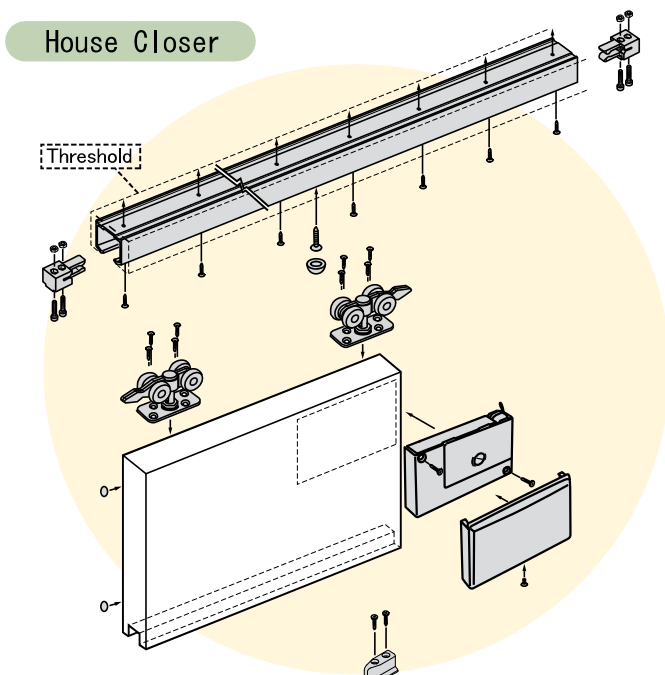


color : Silver



color : Bronze

Fit in View of House Closer and Soft Closer



DAIKEN CO., LTD.

2-7-13 Niitaka, Yodogawa-ku, Osaka, Japan
Tel: +81-6-6150-4776, Fax: +81-6-6150-4777
URL: <https://www.daiken.ne.jp/eng/>