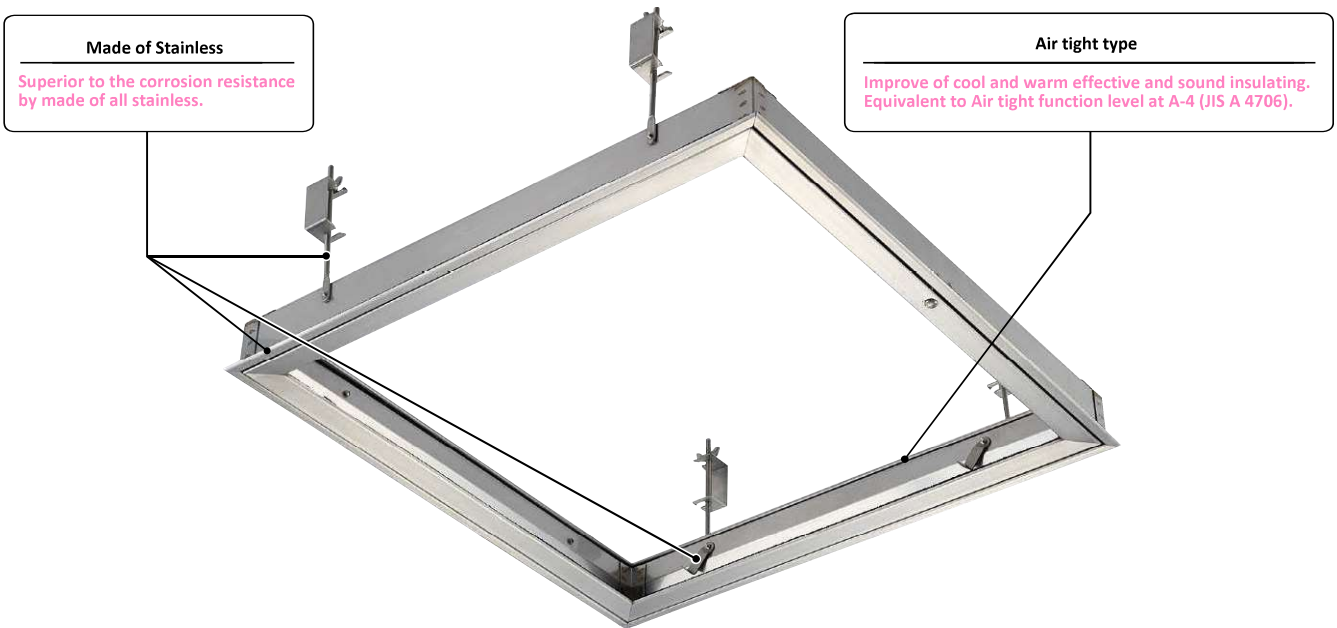


CDS

All Stainless

"Air tight type" is superior to the corrosion resistance



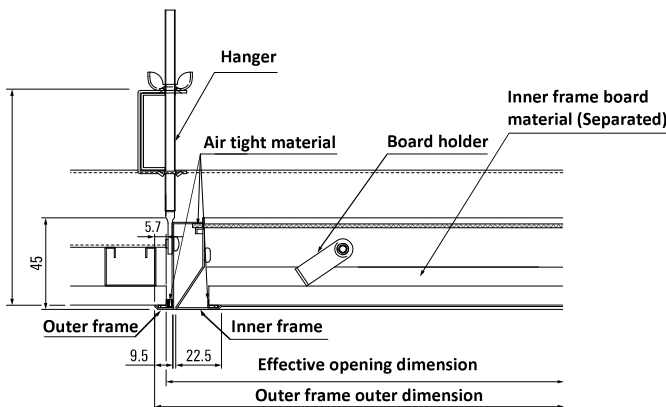
Made of Stainless

Superior to the corrosion resistance by made of all stainless.

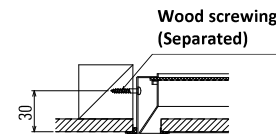
Air tight type

Improve of cool and warm effective and sound insulating. Equivalent to Air tight function level at A-4 (JIS A 4706).

Fitted diagram



Wood base



Parts specification

Parts	Material	Finish
Inner frame/ Outer frame	SUS304	HL (Frame part)
Lock	SUS304	-
Axis bracket	SUS304	-
Axis unit	SUS304	-
Board	SUS304	-
Air tight material	EPDM	-
Hanger	SUS304	-

Model	Size	Outer frame dimension (mm)	Effective opening dimension (mm)	Inner frame board material cut dimension (mm)	Name	Unit	QTY per carton	Accessories (pcs) Hanger
CDS	45	465.4	454	412	CDS45	1	5	4
	60	617.4	606	564	CDS60		3	4

●Attachable for wood base.(Mounting screw is not included)



Note

- CDS type purposed for making efficiency of heating and cooling in the house etc better is not perfect air tight type.
- Could get dirty and rust depends on the environment and terms of use even if Stainless.
- Could get a corrosion in case of using at the place like a pool side and Hot springs containing sulfur.