

Self closing

Slope

Hydraulic control

HCS-120 Door weight: 80–120kgs. Door width: 1000–1500mm (Maximum opening width: 850mm–1350mm)

- Simple installation without professional techniques.
- Using hydraulic control and a rack assembled into the sloped rail allow easy handling (PAT)
- Durability mechanism
- Rear side brake on the door end side reduces the impact on the door when the door is opened strongly, preventing damage to hardware and stopper.
- Using balance type wheel which is suitable for heavy door.
- Openable door with same opening power between -10°C and 40°C by temperature device of hydraulic control.

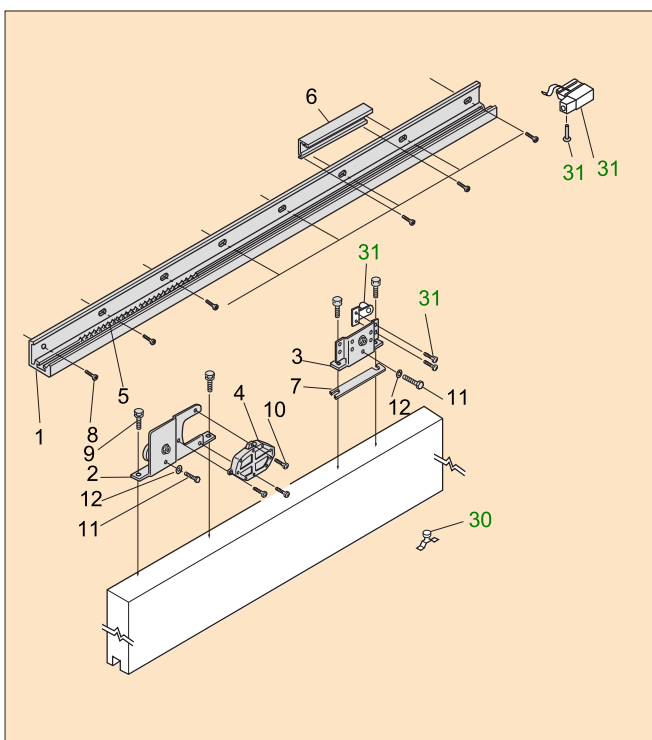
⚠ Available opening width up to 2,000mm as special order.
 Don't operate door at lower than half height of door.
 Don't use for door pocket installation.

Door opening power

Door weight	Opening power (N)	Opening power (kgf)
80	13.92	1.42
90	14.70	1.50
100	15.78	1.61
110	16.95	1.73
120	18.13	1.85

Product are available in the right hand as HCS-120R, left hand as HCS-120L, and double door as HCS-120W.
 * HCS-120W (HCS-120R/L 1 set and HCS-STR/L 1 set)

Parts detail



Basic parts name	Material	Number
1 Aluminum rail L=2800	Aluminum	1
2 Front hanger roller	Steel (Chromed)/resin	1
3 Rear hanger roller	Steel (Chromed)/resin	1
4 Hydraulic control device	ADC12, etc.	1
5 Brake rack	Resin, urethane	2
6 Rear side brake	Aluminum, resin, urethane	1
7 Height control plate	Steel (Processed steel)	6
8 M5 x 16 pan head screw	Steel (Chromed)	12
9 M8 x 25 hexagon bolt	Steel (Chromed)	4
10 M5 x 16 pan head screw	Steel (Chromed)	3
11 Latch bolt	Steel (Chromed)	2
12 10mm washer	Stainless	2

Option

HCS-GRO-16	Guide roller	Stainless, urethane	1
30 HCS-GRO-25			
HCS-GRO-30			
HCS-STR	Stopper	Aluminum, rubber	1
	31 HCS-STL	Stopper roller	Steel (chromed), resin
31 HCS-STL	M6x20 hexagon bolt	Steel (chromed), resin	1
	M5x12 pan head screw	Steel (chromed), resin	2

Assembly view

