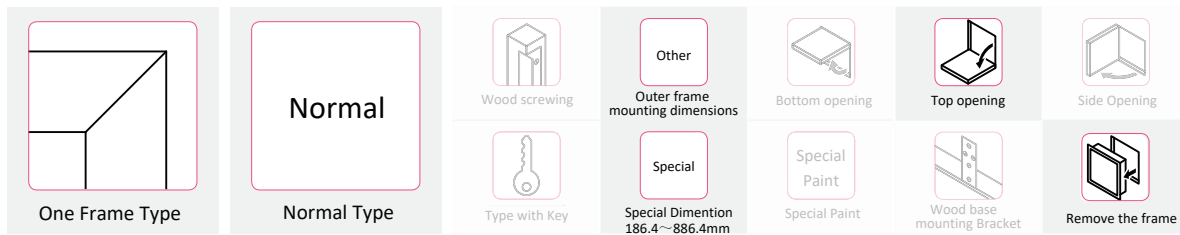
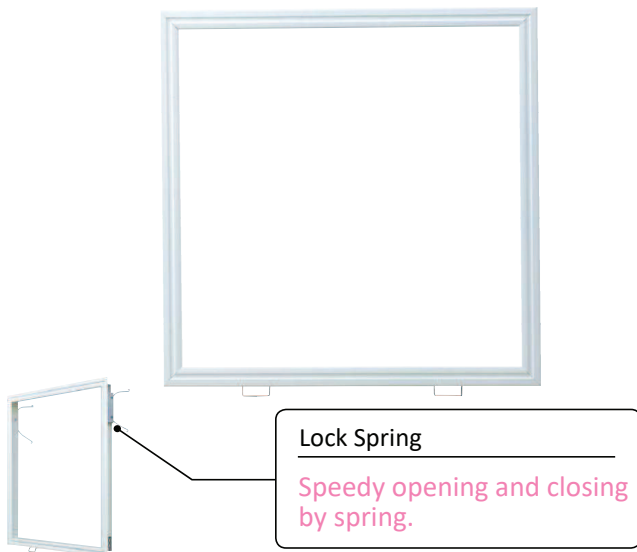


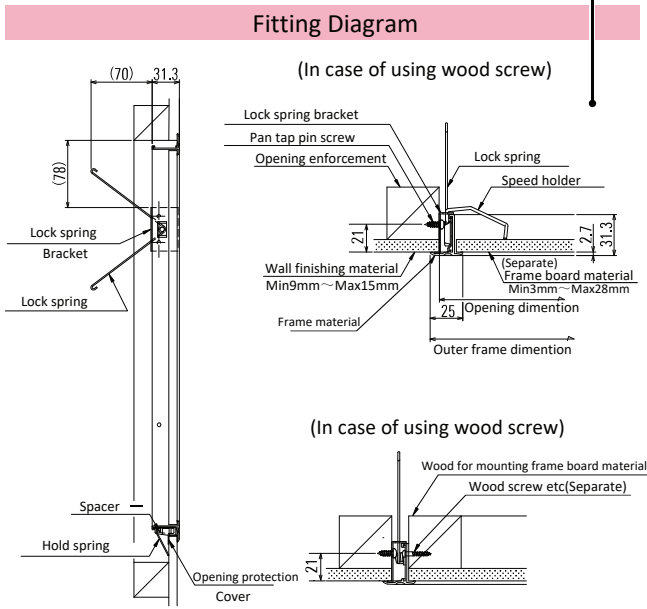
WSL [WSL White]



One Frame Type with Spring Lock Mechanism



Fixing way of Frame board material.
Can select easy enforcement by speed folder or mounting by using wood material.



Parts Specification

Parts	Material	Finish
Frame material	A6063S-T5	Silver Anodized
Lock Spring	Piano line	Electrogalvanized
Spring Bracket	SPCC	Electrogalvanized
Hold space	SUS304-WPB	-
Spacer	Polyacetal	-
Speed Holder	SPCC	Electrogalvanized
Mounting Screw	Stainless	-

Model	Size	Outer frame dimension (mm)	Effective opening size (mm)	Frame board material cutting dimensions(mm)	Name	Unit	Per Unit Qty (pcs)	Attached Parts	
								Speed holder(pcs)	Tappin Screw (Ø4×12) (pcs)
WSL	20*	215	200	175	WSL20	1	10	4	4
	25	265	250	225	WSL25	1	10	4	4
	30*	318	303	278	WSL30	1	10	4	4
	45	469	454	429	WSL45	1	10	4	4
	60*	621	606	581	WSL60	1	10	8	4

●Can use the 9~15mm board(Plaster board) ●Inspection Door for the Indoor Space ●Screw for frame board material is not attached ●Size* is made-to-order product

How to close the Inspection Door(Open is reverse procedure)

