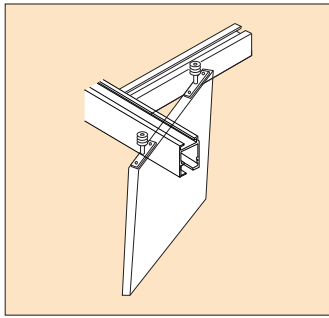


Interior Door hanger

PT150N

PT150N <Partition System> (Loading capacity: 150kgs/panel, Panel height: less than 3m)



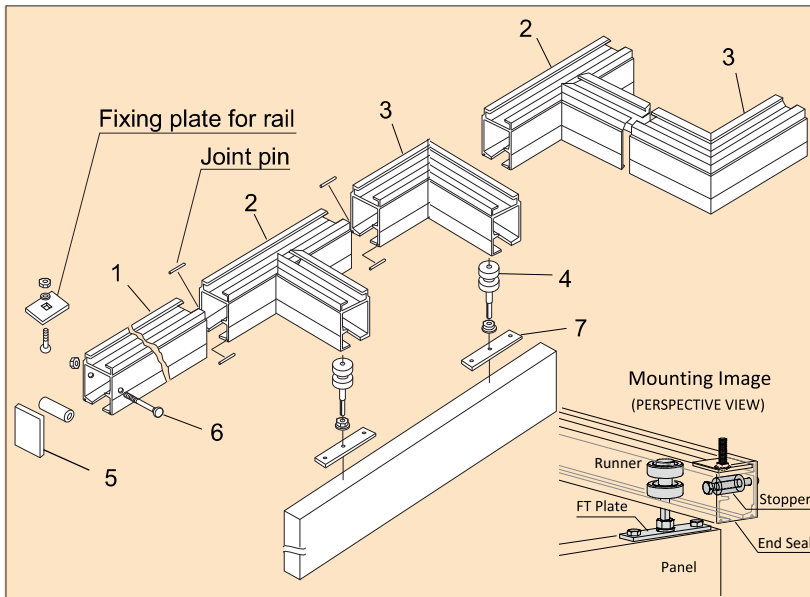
Available smooth and quiet running of partition panel

Panel movement is very smooth & quiet by aluminum rail and MC nylon wheel with dual bearing.

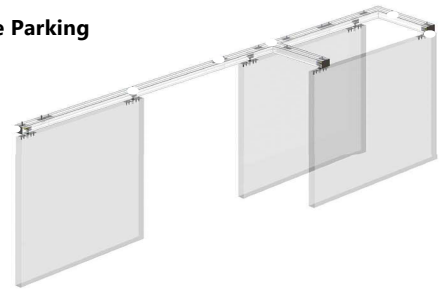
Available various type of panel parking area by combination of L or T rail.

Recommendable to install on banquet hall, art museum, school etc, where is required room partition.

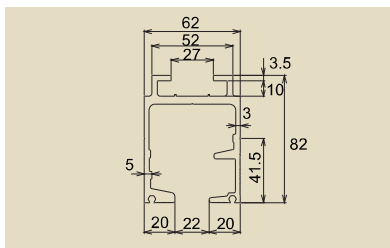
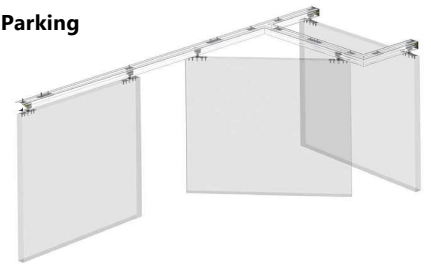
- ⚠️ •About combination of rail, please refer to "example installation".
- Better to put a grease on the connecting point of rail so that wheel runs smoothly.
- When passing rail joint, support panel with your hands for safety.



F Type Parking



Y Type Parking



PT150N Straight rail

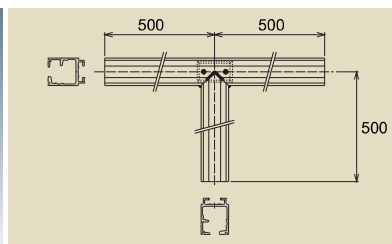
Code	Size	Fixing plate	Pin
PT150N-R20S	2,000mm	4	2
PT150N-R30S	3,000mm	6	2

Attachment

Plate for fixing rail, Fixing screw, Joint pin

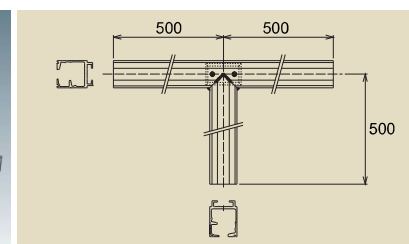
*Since rail is not symmetrical, please pay attention for rail cross section when connecting each rails.

	Item	Code	Material
1	Straight rail	PT150N-R20S PT150N-R30S	A6063S-T5
2	T type rail	PT150N-RT1 PT150N-RT2	A6063S-T5
3	L type rail	RT150N-RL1 RT150N-RL2	A6063S-T5
4	Wheel	PT150N-2W	Polyacetal, SS400 etc.
5	End seal	PT150N-ES	Neoprene rubber
6	Stopper	PT150N-STP	Polyurethane etc.
7	FT plate	FT-PT	SS400 (Paint5Y71)



PT150N T type rail (1)
PT150N-RT1

- Attachment
- Plate for fixing screw x 6
- Fixing screw
- Joint pin x 6
- Grease



PT150N T type rail (2)
PT150N-RT2

- Attachment
- Plate for fixing screw x 6
- Fixing screw
- Joint pin x 6
- Grease



DAIKEN CO., LTD

<https://www.daiken.ne.jp/eng/index.html>