

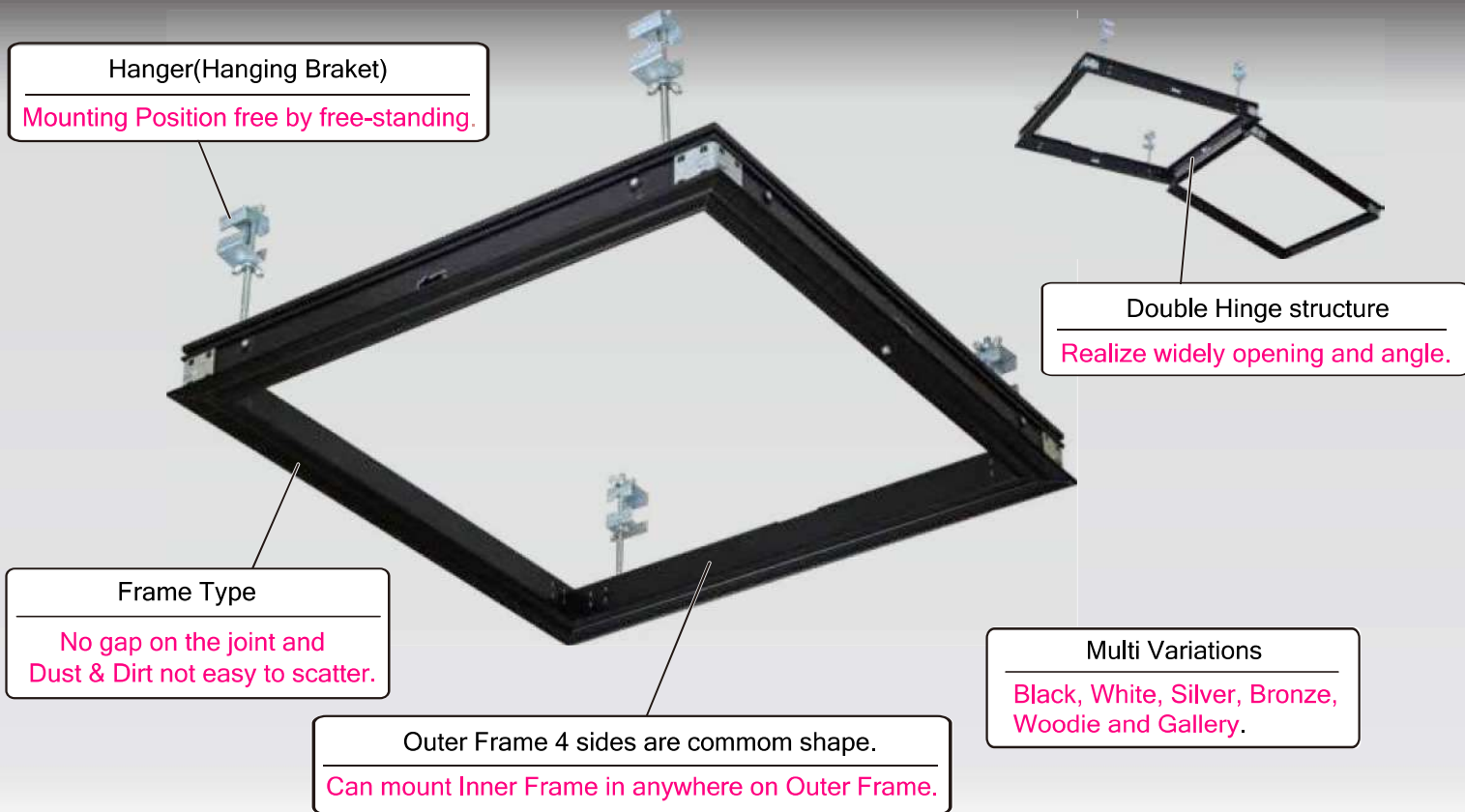
# New Arrival "Matt BLACK" in CDZ Series!

Architectural Hardware Maker

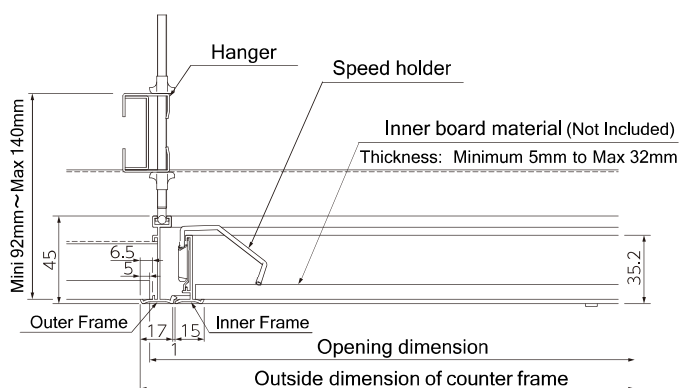


## Ceiling Hatch CDZZ model

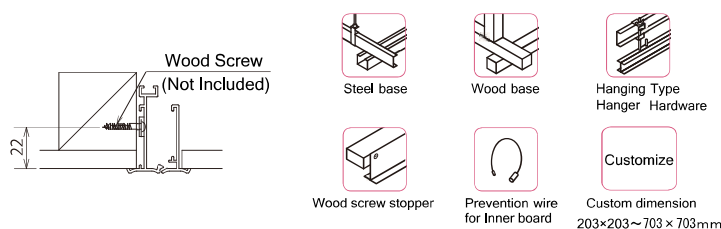
- Harmonize with interior based on Black.
- Suitable for Store and Smoking Room where any dirty looking to be less visible.



### Fit-in View



### Fitted diagram of wood base



Components	Materials	Finish
Inner/Outer Frame	A6063S-T5	Alumite
Hinge Material	A6063S-T5	Silver Anodized
Coin Lock	Zinc Alloy Diecasting	Electro Galvanized
Speed Holder	SPCC	Electro Galvanized
Fallout Prevention Resin	Polyacetal	-
Hanger	SECC	-

### Details

Type	CDZZ45	CDZZ60
Color	Mat BLACK	Mat BLACK
Size	45	60
Outer frame outer dimensions	464(mm)	616(mm)
Opening dimensions	454(mm)	606(mm)
Cut dimension of Inner board material	407(mm)	559(mm)

### Note

- ※A fare is charged separately for any quantity less than one carton unit.
- ※There are some cases in which specification and price of product could be changed.
- ※There is a case in which the actual product color could be a little difference with the color printed.

	CDZZ45	CDZZ60
List Price	6,500JPY	9,200JPY
Unit	1 set	1 set
1 carton contains	10 sets/carton	10 sets/carton
Attached materials		
▪ Hanger	4 pieces	4 pieces
▪ Board holder	4 pieces	4 pieces



DAIKEN CO., LTD.

2-7-13 Niitaka, Yodogawa-ku, Osaka, Japan  
( Tel: +81-6-6150-4776 )  
[www.daiken.ne.jp](http://www.daiken.ne.jp)